

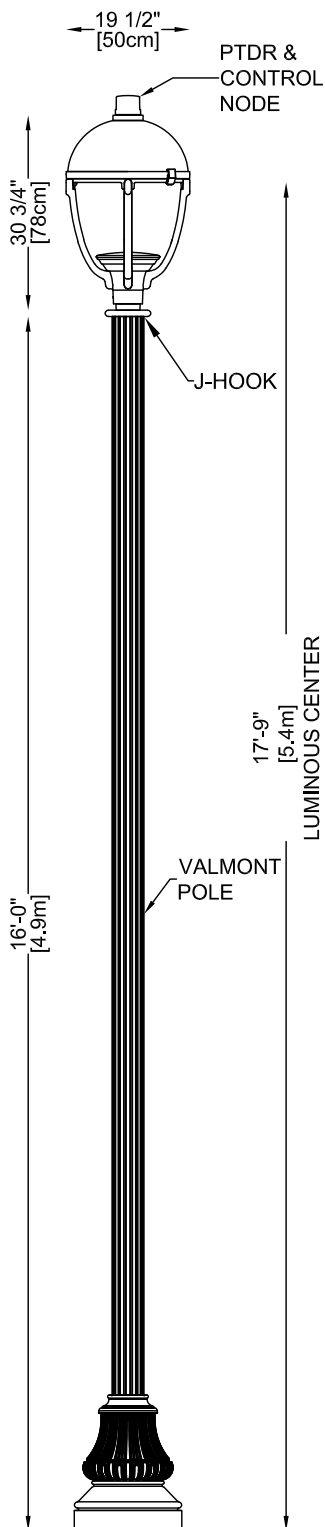
# **APPENDIX C**

# **PREAPPROVED STREET**

# **LIGHTING MATERIALS**

**LUMINAIRE SPECIFICATIONS:**

**CATALOG NO.:** CYCLONE - #CY25T4B-FGC-DIST-WATT-3K-VOLT-PTDR-BK-TX-CP4872  
**LENS MATERIAL:** CLEAR TEMPERED GLASS FLAT LENS (FGC).  
**IES DISTRIBUTION:** TYPE \_\_\_\_ - (TO BE CONFIRMED).  
**WATTAGE:** \_\_\_\_ WATTS - (TO BE CONFIRMED).  
**LIGHT SOURCE:** LED - 3000K (WARM WHITE)  
**LINE VOLTAGE:** \_\_\_\_ VOLTS - (TO BE CONFIRMED), WITH A 0-10 VOLTS DIMMING DRIVER.  
**DRIVER:** MOUNTED ON TRAY MECHANICALLY ATTACHED.  
 ALL COMPONENTS SHALL HAVE QUICK CONNECTORS.  
 DRIVER, LED, TESTED AT FACTORY.  
**IP66 WEATHERPROOF LUMINAIRE WITH "V" GROOVE SILICONE.**  
**OPTION:** DIMMABLE 7 PIN PHOTOCELL RECEPTACLE (PTDR).



**ALL NON ELECTRICAL HARDWARE SHALL BE STAINLESS STEEL**

**COLOR & FINISH:** BLACK RAL9005 (BK), TEXTURED POWDER COAT FINISH (TX).

**WARRANTY:** PAINT: 5 YEARS WARRANTY. LED FIXTURES: 5 YEARS WARRANTY INCLUDING REPLACEMENT OF COMPLETE LIGHT ENGINE IF ANY LED IS TO FAIL.

**CONTROL SPECIFICATIONS:**

GE LightGrid Node

**POLE & BASE SPECIFICATIONS:**

**CATALOG NO.:** VALMONT #160050506UWA/7330TP30H-FP/BLK-w/4"x3" Tenon w/Jhook  
**POLE MATERIAL:** FLUTED (16 FLUTES) ALUMINUM TUBING 5"(13cm)Ø, 0.188"(5mm) THICKNESS.  
**POLE HEIGHT:** 16'-0" (4.9m).  
**ANCHOR BOLTS:** (4) 1" ANCHOR BOLTS (BY OTHERS)  
**BOLT CIRCLE:** AVAILABLE FROM 11" TO 13" (28cm to 33cm)Ø.  
**TENON:** 4"O.D. x 3" LONG, ALUMINUM TENON WITH 7 1/4" O.D. CAST PLATE.  
**BASE COVER:** CAST ALUMINUM DECORATIVE ANCHOR BASE WITH A HANDHOLE DOOR.

**POLE WARRANTY**

**MATERIAL & WORKMANSHIP:** TWO (2) YEAR WARRANTY ON MATERIAL AND WORKMANSHIP FROM THE DATE OF SHIPMENT.

**COLOR & FINISH:** SMOOTH POWDER COAT BLACK (BLK)

**PAINT WARRANTY:** FIVE (5) YEARS AGAINST CORROSION, PEELING AND FADING OF MORE THAN 20% OF THE ORIGINAL GLOSS.

**LUMINAIRE SPECIFICATIONS:**

**CATALOG NO.:** CYCLONE - #CY55P1B-FGC-DIST-WATT-3K-BK-TX

**LENS MAT'L:** CLEAR TEMPERED GLASS FLAT LENS (FGC).

**IES CLASSIFIC:** TYPE \_\_\_ (TO BE CONFIRMED).

**WATTAGE:** \_\_\_ WATTS - (TO BE CONFIRMED).

**LIGHT SOURCE:** LED - 3000K (WARM WHITE)

**LINE VOLTAGE:** \_\_\_ VOLTS - (TO BE CONFIRMED), WITH A 0-10 VOLTS DIMMING.

**DRIVER:** MOUNTED ON QUICK RELEASE TRAY.

ALL COMPONENTS SHALL HAVE QUICK CONNECTORS.

DRIVER, LED, TESTED AT FACTORY.

**IP66 WEATHERPROOF LUMINAIRE WITH "V" GROOVE SILICONE.**

**ARM ADAPTOR SPECIFICATIONS:**

**CATALOG NO.:** CYCLONE - #CP4721-PTDR-BK-TX

**MATERIAL:** ALUMINUM TENON ADAPTOR, SLIP THROUGH A

2 3/8"(6cm) BRACKET BY OTHERS TO RECEIVE PENDANT LUMINAIRE.

**OPTION:** DIMMABLE PHOTOCELL RECEPTACLE (PTDR).

**ALL NON ELECTRICAL HARDWARE SHALL BE STAINLESS STEEL**

**COLOR & FINISH:** BLACK RAL9005 (BK), TEXTURED POWDER COAT FINISH (TX).

**WARRANTY:** PAINT WARRANTY FOR 5 YEARS & LED FIXTURE WARRANTY FOR 5 YEARS INCLUDING LED WAIVER FOR CITY OF HILLSBORO.

**CONTROL SPECIFICATIONS:**

GE LightGrid Node

**POLE, BRACKET & BASE SPECIFICATIONS:**

**CATALOG NO.:** VISCO - #VI-HIL/CA-21'-4"-S1/5'-PC/BLK

**BRACKET MATERIAL:** 2 3/8" O.D. ALUMINUM BENT ARM.

**CONFIGURATION:** SINGLE (C1).

**POLE MATERIAL:** 5" ROUND FLUTED, ALUMINUM TUBING, 0.188"(5mm) THICKNESS.

**POLE HEIGHT:** 21'-4" (6.5m).

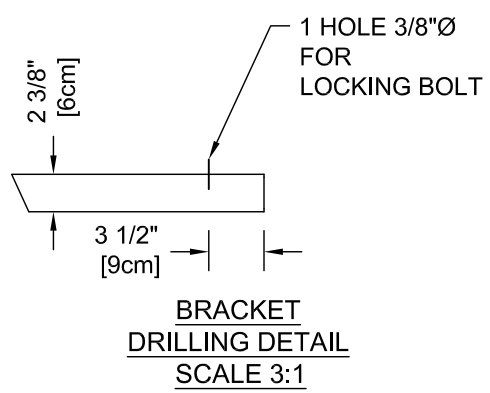
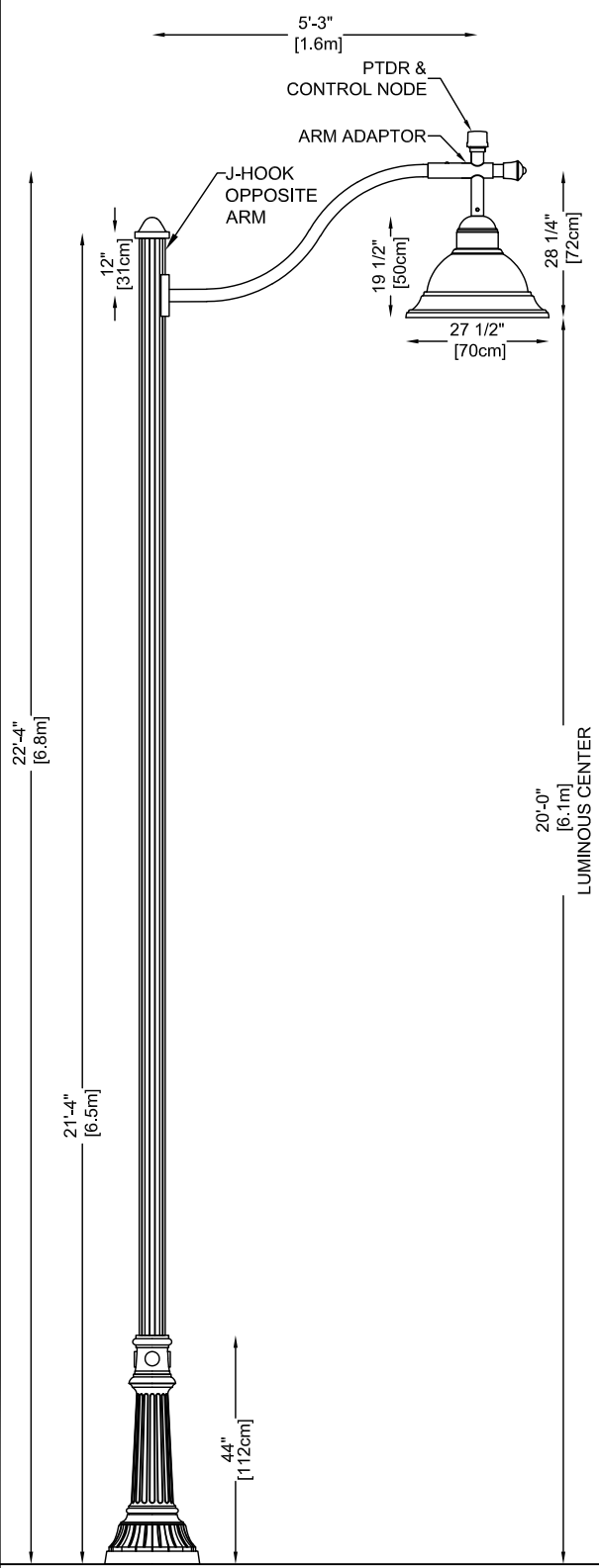
**ANCHOR BOLTS:** (4) 1" x 36" (33+3) FULLY GALVANIZED.

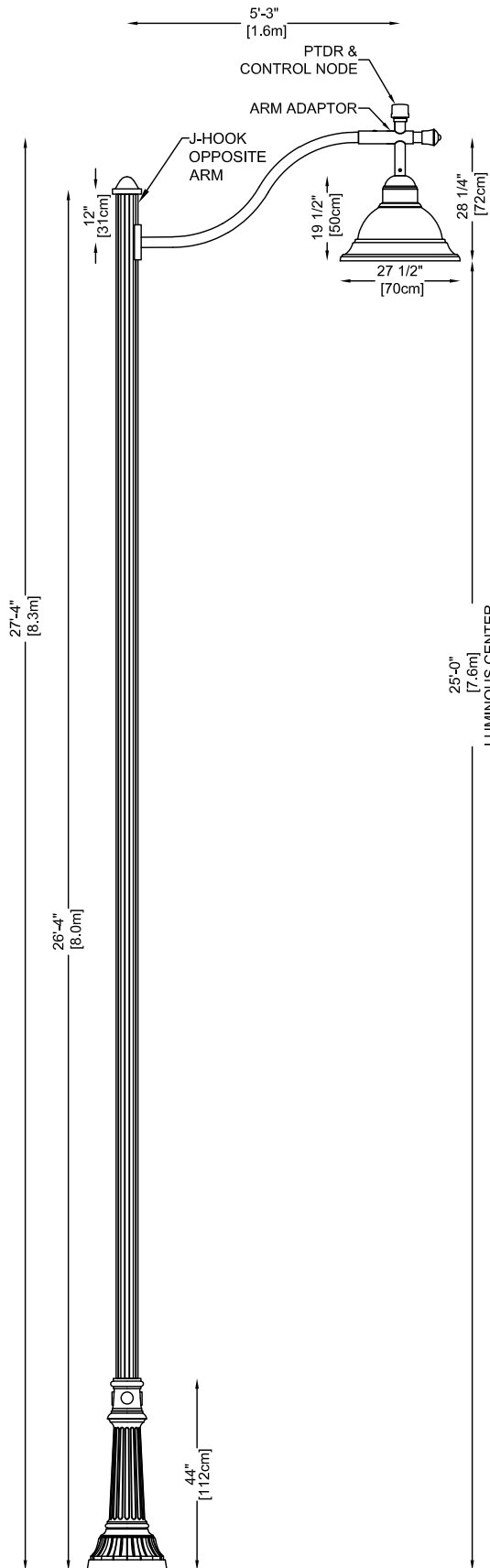
**BOLT CIRCLE:** 11"(28cm)Ø.

**BASE COVER:** CAST ALUMINUM BASE WITH REMOVABLE ACCESS DOOR.

**COLOR & FINISH:** JET BLACK (RAL9005SM) POWDER COAT, SMOOTH FINISH.

**OPTION:** J-HOOK.





**LUMINAIRE SPECIFICATIONS:**

**CATALOG NO.:** CYCLONE - #CY55P1B-FGC-DIST-WATT-3K-BK-TX  
**LENS MAT'L:** CLEAR TEMPERED GLASS FLAT LENS (FGC).  
**IES CLASSIFIC:** TYPE \_\_\_\_ (TO BE CONFIRMED).  
**WATTAGE:** \_\_\_\_ WATTS - (TO BE CONFIRMED).  
**LIGHT SOURCE:** LED - 3000K (WARM WHITE)  
**LINE VOLTAGE:** \_\_\_\_ VOLTS - (TO BE CONFIRMED), WITH A 0-10 VOLTS DIMMING.  
**DRIVER:** MOUNTED ON QUICK RELEASE TRAY.  
 ALL COMPONENTS SHALL HAVE QUICK CONNECTORS.  
 DRIVER, LED, TESTED AT FACTORY.  
**IP66 WEATHERPROOF LUMINAIRE WITH "V" GROOVE SILICONE.**

**ARM ADAPTOR SPECIFICATIONS:**

**CATALOG NO.:** CYCLONE - #CP4721-PTDR-BK-TX  
**MATERIAL:** ALUMINUM TENON ADAPTOR, SLIP THROUGH A 2 3/8"(6cm) BRACKET BY OTHERS TO RECEIVE PENDANT LUMINAIRE.  
**OPTION:** DIMMABLE PHOTOCELL RECEPTACLE (PTDR).

**ALL NON ELECTRICAL HARDWARE SHALL BE STAINLESS STEEL**

**COLOR & FINISH:** BLACK RAL9005 (BK), TEXTURED POWDER COAT FINISH (TX).

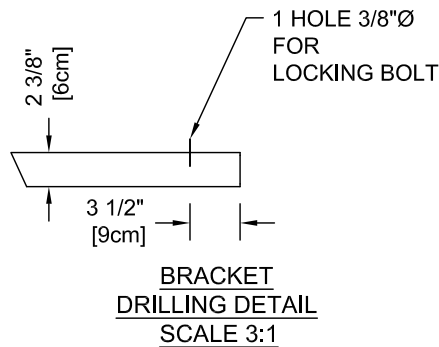
**WARRANTY:** PAINT WARRANTY FOR 5 YEARS & LED FIXTURE WARRANTY FOR 5 YEARS INCLUDING LED WAIVER FOR CITY OF HILLSBORO.

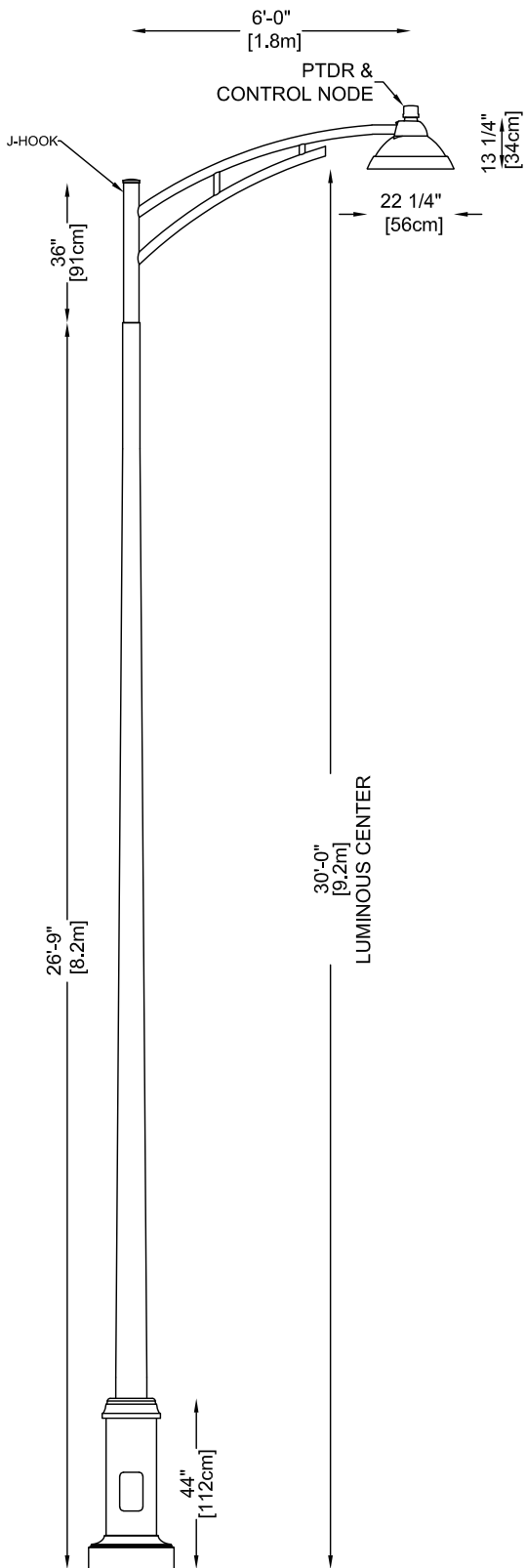
**CONTROL SPECIFICATIONS:**

GE LightGrid Node

**POLE, BRACKET & BASE SPECIFICATIONS:**

**CATALOG NO.:** VISCO - #VI-HIL/CA-26'-4"-S1/5'-PC/BLK  
**BRACKET MATERIAL:** 2 3/8" O.D. ALUMINUM BENT ARM.  
**CONFIGURATION:** SINGLE (C1).  
**POLE MATERIAL:** 5" ROUND FLUTED, ALUMINUM TUBING, 0.188"(5mm) THICKNESS.  
**POLE HEIGHT:** 26'-4" (8.0m).  
**ANCHOR BOLTS:** (4) 1" x 36" (33+3) FULLY GALVANIZED.  
**BOLT CIRCLE:** 11"(28cm)Ø.  
**BASE COVER:** CAST ALUMINUM BASE WITH REMOVABLE ACCESS DOOR.  
**COLOR & FINISH:** JET BLACK (RAL9005SM) POWDER COAT, SMOOTH FINISH.  
**OPTION:** J-HOOK.





**LUMINAIRE SPECIFICATIONS:**

**CATALOG NO.:** CYCLONE - #NEL30S-FGC-DIST-WATT-3K-VOLT-PTDR-BK-TX

**LENS MAT'L:** CLEAR TEMPERED GLASS FLAT LENS (FGC).

**IES CLASSIFIC:** TYPE \_\_\_\_ - (TO BE CONFIRMED).

**WATTAGE:** \_\_\_\_ WATTS - (TO BE CONFIRMED).

**LIGHT SOURCE:** LED - 3000K (WARM WHITE)

**LINE VOLTAGE:** \_\_\_\_ VOLTS - (TO BE CONFIRMED), WITH A 0-10 VOLTS DIMMING.

**DRIVER:** MOUNTED ON QUICK RELEASE TRAY.

ALL COMPONENTS SHALL HAVE QUICK CONNECTORS.

DRIVER, LED, TESTED AT FACTORY.

**IP66 WEATHERPROOF LUMINAIRE WITH "V" GROOVE SILICONE.**

**OPTION:** DIMMABLE PHOTOCELL RECEPTACLE (PTDR).

**ALL NON ELECTRICAL HARDWARE SHALL BE STAINLESS STEEL**

**COLOR & FINISH:** BLACK RAL9005 (BK), TEXTURED POWDER COAT FINISH (TX).

**WARRANTY:** PAINT WARRANTY FOR 5 YEARS & LED FIXTURE WARRANTY FOR 5 YEARS INCLUDING LED WAIVER FOR CITY OF HILLSBORO.

**CONTROL SPECIFICATIONS:**

GE LightGrid Node

**POLE, BRACKET & BASE SPECIFICATIONS:**

**CATALOG NO.:** VALMONT #261045806T4/1TA0650H35/40RPTSC-CH22AC08142-FP/BLK

**BRACKET MATERIAL:** CENTRAL TUBING 4"(10cm)Ø MADE OF ALUMINUM WITH A 2 3/8"(6cm)Ø ARM & A DECORATIVE ELEMENT, WELDED TOGETHER.

**ARM LENGTH:** 6'-0" (1.8m)

**CONFIGURATION:** SINGLE (C1).

**POLE MATERIAL:** TAPERED ALUMINUM TUBING, 0.188"(5mm) THICKNESS.

**POLE HEIGHT:** 26'-9" (8.2m).

**ANCHOR BOLTS:** (4) 1" x 36" (33+3) FULLY GALVANIZED.

**BOLT CIRCLE:** AVAILABLE FROM 11" TO 12" (28cm to 30cm)Ø.

**BASE COVER:** ROUND SHAPE, TWO PIECE COVER.

**OPTION:** J-HOOK.

**POLE WARRANTY**

**MATERIAL & WORKMANSHIP:** TWO (2) YEAR WARRANTY ON MATERIAL AND WORKMANSHIP FROM THE DATE OF SHIPMENT.

**COLOR & FINISH:** SMOOTH POWDER COAT BLACK (BLK)

**PAINT WARRANTY:** FIVE (5) YEARS AGAINST CORROSION, PEELING AND FADING OF MORE THAN 20% OF THE ORIGINAL GLOSS.

**Cyclone** LIGHTING  
THE LUMINAIRES GROUP INC.



TEL: 450-434-5000  
FAX: 450-434-5001

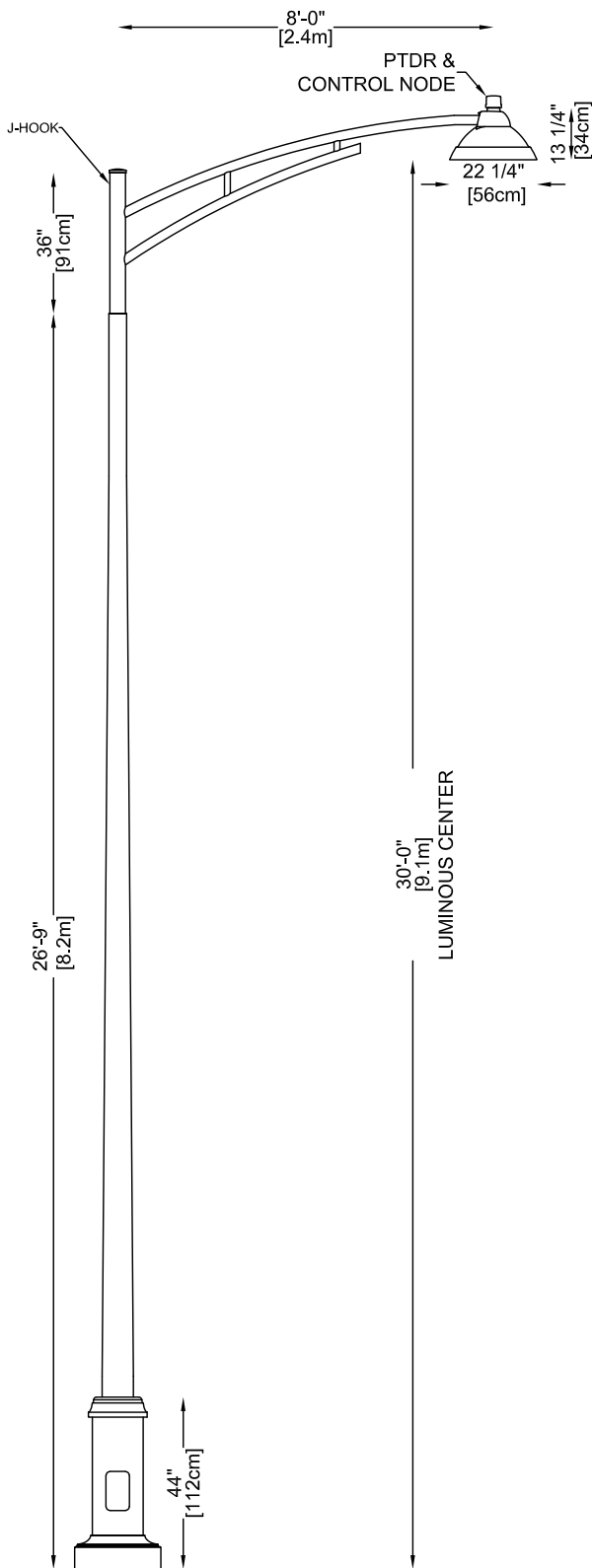
City of Hillsboro  
NEL30S - 30' MH - 6' LA

Date: 09/04/2019 Scale: Designer:

Drawing #: NEL30S - 1P1002

Revision:	

PAGE #: 1/4



**LUMINAIRE SPECIFICATIONS:**

**CATALOG NO.:** CYCLONE - #NEL30S-FGC-DIST-WATT-3K-VOLT-PTDR-BK-TX  
**LENS MAT'L:** CLEAR TEMPERED GLASS FLAT LENS (FGC).  
**IES CLASSIFIC:** TYPE \_\_\_\_ - (TO BE CONFIRMED).  
**WATTAGE:** \_\_\_\_ WATTS - (TO BE CONFIRMED).  
**LIGHT SOURCE:** LED - 3000K (WARM WHITE)  
**LINE VOLTAGE:** \_\_\_\_ VOLTS - (TO BE CONFIRMED), WITH A 0-10 VOLTS DIMMING.  
**DRIVER:** MOUNTED ON QUICK RELEASE TRAY.  
 ALL COMPONENTS SHALL HAVE QUICK CONNECTORS.  
 DRIVER, LED, TESTED AT FACTORY.  
**IP66 WEATHERPROOF LUMINAIRE WITH "V" GROOVE SILICONE.**  
**OPTION:** DIMMABLE PHOTOCCELL RECEPTACLE (PTDR).

**ALL NON ELECTRICAL HARDWARE SHALL BE STAINLESS STEEL**

**COLOR & FINISH:** BLACK RAL9005 (BK), TEXTURED POWDER COAT FINISH (TX).

**WARRANTY:** PAINT WARRANTY FOR 5 YEARS & LED FIXTURE WARRANTY FOR 5 YEARS INCLUDING LED WAIVER FOR CITY OF HILLSBORO.

**CONTROL SPECIFICATIONS:**

GE LightGrid Node

**POLE, BRACKET & BASE SPECIFICATIONS:**

**CATALOG NO.:** VALMONT #261045806T4/1TA0850H35/40RPTSC-CH22AC08142-FP/BLK  
**BRACKET MATERIAL:** CENTRAL TUBING 4"(10cm)Ø MADE OF ALUMINUM WITH A 2 3/8"(6cm)Ø ARM & A DECORATIVE ELEMENT, WELDED TOGETHER.  
**ARM LENGTH:** 8'-0" (2.4m)  
**CONFIGURATION:** SINGLE (C1).  
**POLE MATERIAL:** TAPERED ALUMINUM TUBING, 0.188"(5mm) THICKNESS.  
**POLE HEIGHT:** 26'-9" (8.2m).  
**ANCHOR BOLTS:** (4) 1" x 36" (33+3) FULLY GALVANIZED.  
**BOLT CIRCLE:** AVAILABLE FROM 11" TO 12" (28cm to 30cm)Ø.  
**BASE COVER:** ROUND SHAPE, TWO PIECE COVER.  
**OPTION:** J-HOOK.

**POLE WARRANTY**

**MATERIAL & WORKMANSHIP:** TWO (2) YEAR WARRANTY ON MATERIAL AND WORKMANSHIP FROM THE DATE OF SHIPMENT.

**COLOR & FINISH:** SMOOTH POWDER COAT BLACK (BLK)  
**PAINT WARRANTY:** FIVE (5) YEARS AGAINST CORROSION, PEELING AND FADING OF MORE THAN 20% OF THE ORIGINAL GLOSS.

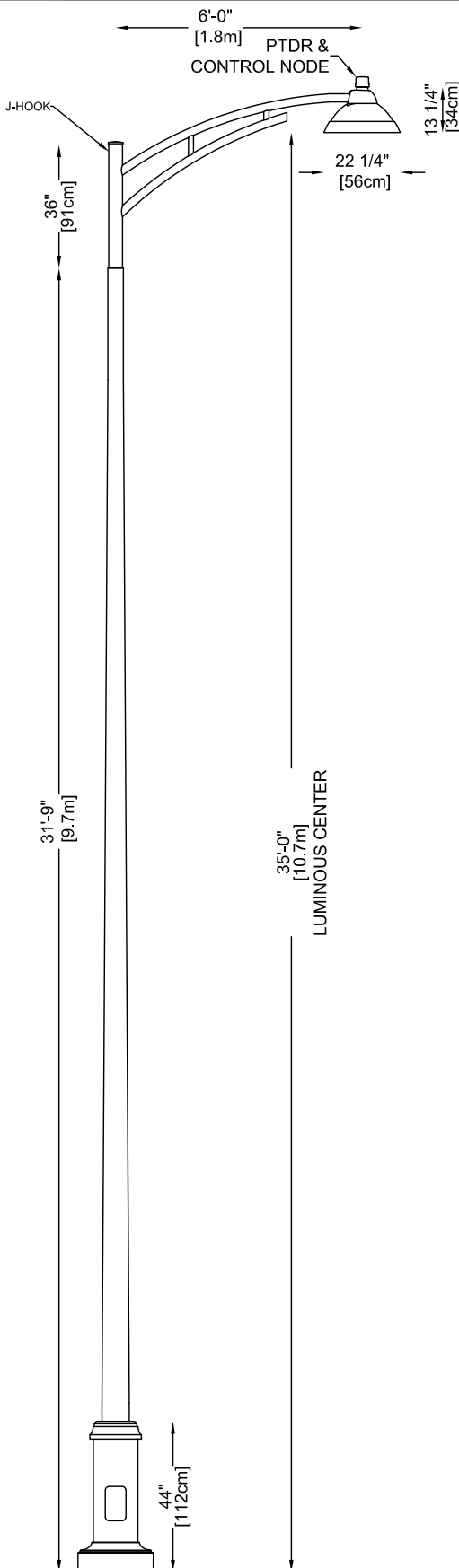
**Cyclone** LIGHTING  
 THE LUMINAIRES GROUP INC.  
 TEL: 450-434-5000  
 FAX: 450-434-5001

City of Hillsboro  
 NEL30S - 30' MH - 8' LA

Date: 09/04/2019 Scale: Designer:

Drawing #: NEL30S - 1P1002

Revision: 2/4



**LUMINAIRE SPECIFICATIONS:**

**CATALOG NO.:** CYCLONE - #NEL30S-FGC-DIST-WATT-3K-VOLT-PTDR-BK-TX  
**LENS MAT'L:** CLEAR TEMPERED GLASS FLAT LENS (FGC).  
**IES CLASSIFIC:** TYPE \_\_\_\_ - (TO BE CONFIRMED).  
**WATTAGE:** \_\_\_\_ WATTS - (TO BE CONFIRMED).  
**LIGHT SOURCE:** LED - 3000K (WARM WHITE)  
**LINE VOLTAGE:** \_\_\_\_ VOLTS - (TO BE CONFIRMED), WITH A 0-10 VOLTS DIMMING.  
**DRIVER:** MOUNTED ON QUICK RELEASE TRAY.  
 ALL COMPONENTS SHALL HAVE QUICK CONNECTORS.  
 DRIVER, LED, TESTED AT FACTORY.  
**IP66** WEATHERPROOF LUMINAIRE WITH "V" GROOVE SILICONE.  
**OPTION:** DIMMABLE PHOTOCELL RECEPTACLE (PTDR).

**ALL NON ELECTRICAL HARDWARE SHALL BE STAINLESS STEEL**

**COLOR & FINISH:** BLACK RAL9005 (BK), TEXTURED POWDER COAT FINISH (TX).

**WARRANTY:** PAINT WARRANTY FOR 5 YEARS & LED FIXTURE WARRANTY FOR 5 YEARS INCLUDING LED WAIVER FOR CITY OF HILLSBORO.

**CONTROL SPECIFICATIONS:**

GE LightGrid Node

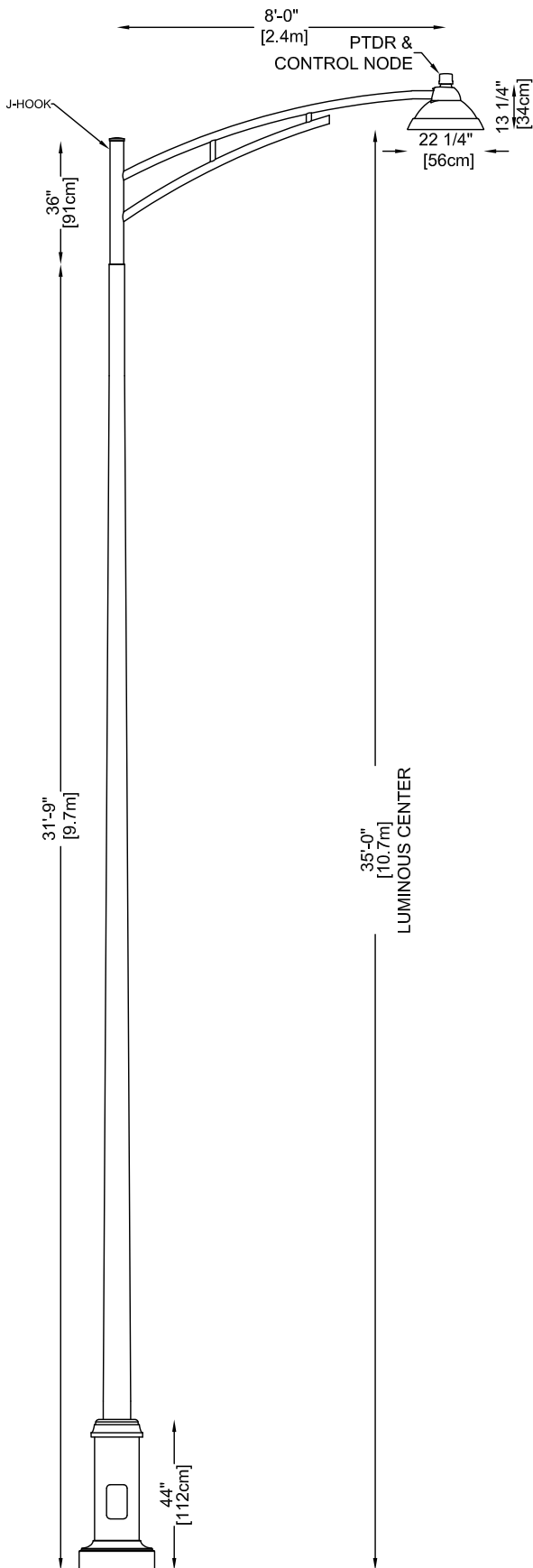
**POLE, BRACKET & BASE SPECIFICATIONS:**

**CATALOG NO.:** VALMONT #311045806T4/1TA0650H35/40RPTSC-CH22AC08142-FP/BLK  
**BRACKET MATERIAL:** CENTRAL TUBING 4"(10cm)Ø MADE OF ALUMINUM WITH A 2 3/8"(6cm)Ø ARM & A DECORATIVE ELEMENT, WELDED TOGETHER.  
**ARM LENGTH:** 6'-0" (1.8m)  
**CONFIGURATION:** SINGLE (C1).  
**POLE MATERIAL:** TAPERED ALUMINUM TUBING, 0.188"(5mm) THICKNESS.  
**POLE HEIGHT:** 31'-9" (9.7m).  
**ANCHOR BOLTS:** (4) 1" x 36" (33+3) FULLY GALVANIZED.  
**BOLT CIRCLE:** AVAILABLE FROM 11" TO 12" (28cm to 30cm)Ø.  
**BASE COVER:** ROUND SHAPE, TWO PIECE COVER.  
**OPTION:** J-HOOK.

**POLE WARRANTY**

**MATERIAL & WORKMANSHIP:** TWO (2) YEAR WARRANTY ON MATERIAL AND WORKMANSHIP FROM THE DATE OF SHIPMENT.

**COLOR & FINISH:** SMOOTH POWDER COAT BLACK (BLK)  
**PAINT WARRANTY:** FIVE (5) YEARS AGAINST CORROSION, PEELING AND FADING OF MORE THAN 20% OF THE ORIGINAL GLOSS.



**LUMINAIRE SPECIFICATIONS:**

**CATALOG NO.:** CYCLONE - #NEL30S-FGC-DIST-WATT-3K-VOLT-PTDR-BK-TX  
**LENS MAT'L:** CLEAR TEMPERED GLASS FLAT LENS (FGC).  
**IES CLASSIFIC:** TYPE \_\_\_\_\_ - (TO BE CONFIRMED).  
**WATTAGE:** \_\_\_ WATTS - (TO BE CONFIRMED).  
**LIGHT SOURCE:** LED - 3000K (WARM WHITE)  
**LINE VOLTAGE:** \_\_\_ VOLTS - (TO BE CONFIRMED), WITH A 0-10 VOLTS DIMMING.  
**DRIVER:** MOUNTED ON QUICK RELEASE TRAY.  
 ALL COMPONENTS SHALL HAVE QUICK CONNECTORS.  
 DRIVER, LED, TESTED AT FACTORY.  
**IP66 WEATHERPROOF LUMINAIRE WITH "V" GROOVE SILICONE.**  
**OPTION:** DIMMABLE PHOTOCELL RECEPTACLE (PTDR).

**ALL NON ELECTRICAL HARDWARE SHALL BE STAINLESS STEEL**

**COLOR & FINISH:** BLACK RAL9005 (BK), TEXTURED POWDER COAT FINISH (TX).

**WARRANTY:** PAINT WARRANTY FOR 5 YEARS & LED FIXTURE WARRANTY FOR 5 YEARS INCLUDING LED WAIVER FOR CITY OF HILLSBORO.

**CONTROL SPECIFICATIONS:**

GE LightGrid Node

**POLE, BRACKET & BASE SPECIFICATIONS:**

**CATALOG NO.:** VALMONT #311045806T4/1TA0850H35/40RPTSC-CH22AC08142-FP/BLK  
**BRACKET MATERIAL:** CENTRAL TUBING 4"(10cm)Ø MADE OF ALUMINUM WITH A 2 3/8"(6cm)Ø ARM & A DECORATIVE ELEMENT, WELDED TOGETHER.  
**ARM LENGTH:** 8'-0" (2.4m)  
**CONFIGURATION:** SINGLE (C1).  
**POLE MATERIAL:** TAPERED ALUMINUM TUBING, 0.188"(5mm) THICKNESS.  
**POLE HEIGHT:** 31'-9" (9.7m).  
**ANCHOR BOLTS:** (4) 1" x 36" (33+3) FULLY GALVANIZED.  
**BOLT CIRCLE:** AVAILABLE FROM 11" TO 12" (28cm to 30cm)Ø.  
**BASE COVER:** ROUND SHAPE, TWO PIECE COVER.  
**OPTION:** J-HOOK.

**POLE WARRANTY**

**MATERIAL & WORKMANSHIP:** TWO (2) YEAR WARRANTY ON MATERIAL AND WORKMANSHIP FROM THE DATE OF SHIPMENT.

**COLOR & FINISH:** SMOOTH POWDER COAT BLACK (BLK)  
**PAINT WARRANTY:** FIVE (5) YEARS AGAINST CORROSION, PEELING AND FADING OF MORE THAN 20% OF THE ORIGINAL GLOSS.



**LUMINAIRE SPECIFICATIONS:**

**CATALOG NO.:** CYCLONE - #NEL3001P1-FGC-DIST-WATT-3K-VOLT-BK-TX-CP5121  
**LENS MAT'L:** CLEAR TEMPERED GLASS FLAT LENS (FGC).  
**IES CLASSIFIC:** TYPE \_\_\_\_ - (TO BE CONFIRMED).  
**WATTAGE:** \_\_\_\_ WATTS - (TO BE CONFIRMED).  
**LIGHT SOURCE:** LED - 3000K (WARM WHITE)  
**LINE VOLTAGE:** \_\_\_\_ VOLTS - (TO BE CONFIRMED).  
**DRIVER:** MOUNTED ON QUICK RELEASE TRAY.  
 ALL COMPONENTS SHALL HAVE QUICK CONNECTORS.  
 DRIVER, LED, TESTED AT FACTORY.  
**IP66 WEATHERPROOF LUMINAIRE WITH "V" GROOVE SILICONE.**  
**OPTION:** COMPLETE WITH A 0-10 VOLT DIMMER (DIM).

**BRACKET SPECIFICATIONS:**

**CATALOG NO.:** CYCLONE - #M204-C1-T50-PTDR-BK-TX  
**MATERIAL:** CENTRAL TUBING 5"(13cm)Ø MADE OF ALUMINUM WITH ONE ARM 2 3/8"(6cm)Ø A DECORATIVE ELEMENT AND TENON FOR LUMINAIRE, WELDED TOGETHER.  
**CONFIGURATION:** SINGLE (C1).  
**OPTION:** DIMMABLE PHOTOCELL RECEPTACLE (PTDR).

**CONTROL SPECIFICATIONS:**

GE LightGrid Node

**POLE SPECIFICATIONS:**

**CATALOG NO.:** CYCLONE - #PS50-20.5'-T50-BK-TX-CP6092  
**MATERIAL:** 5" ROUND, STEEL TUBING, 0.125"(3mm) THICKNESS.  
**POLE HEIGHT:** 20'-6" (6.2m).  
**ANCHOR BOLTS:** (4) 1" x 36" (33+3) FULLY GALVANIZED.  
**BOLT CIRCLE:** 11 1/2" (29cm)Ø. AVAILABLE FROM 8" TO 12" (20cm to 30cm)Ø.  
**CP6092:** POLE TENON COMPLETE WITH INTERNAL HOOK.

**BASE COVER SPECIFICATIONS:**

**CATALOG NO.:** CYCLONE - #BD57-BK-TX  
**MATERIAL:** TWO-PIECE COVER MADE OF CAST ALUMINUM.

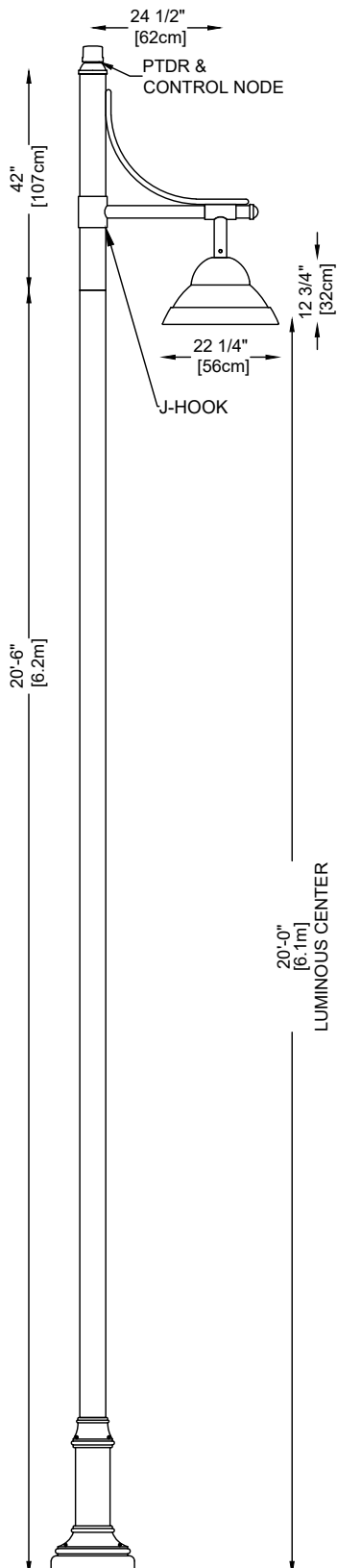
**ALL NON ELECTRICAL HARDWARE SHALL BE STAINLESS STEEL**

**COLOR & FINISH:** BLACK RAL9005 (BK), TEXTURED POWDER COAT FINISH (TX).

**WARRANTY:** PAINT WARRANTY FOR 5 YEARS & LED FIXTURE WARRANTY FOR 5 YEARS INCLUDING LED WAIVER FOR CITY OF HILLSBORO.

**APPROVED EQUAL MATERIAL:**

**POLE:** Valmont - #DS340-R500V206-SPL tenon  
**BASE COVER:** Valmont - DBMON1942 Deco Base - FP/BLK (VP53)



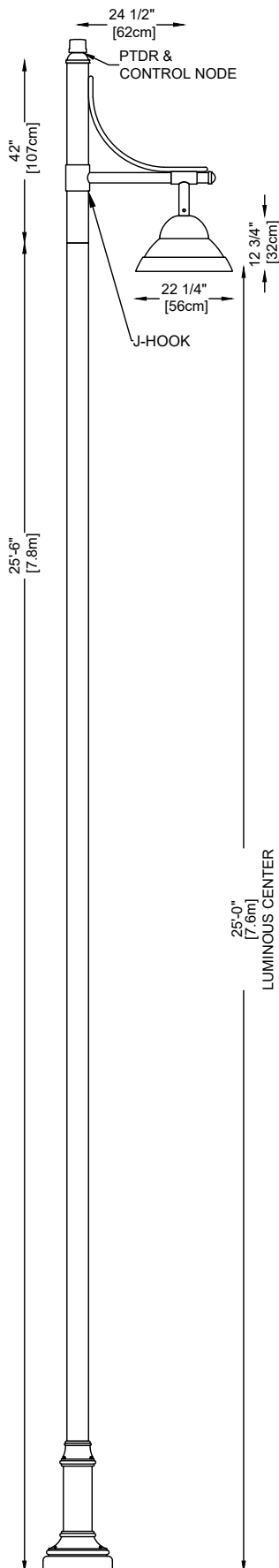
TEL: 450-434-5000  
 FAX: 450-434-5001

City of Hillsboro  
 NEL3001P1 / M204-C1 / PS50-BD57

Drawing #: NEL3001P1 - 1P1001 PAGE # 1/2

Date: 03/18/2020 Scale: Designer:

Revision:	



**LUMINAIRE SPECIFICATIONS:**

**CATALOG NO.:** CYCLONE - #NEL3001P1-FGC-DIST-WATT-3K-VOLT-BK-TX-CP5121  
**LENS MAT'L:** CLEAR TEMPERED GLASS FLAT LENS (FGC).  
**IES CLASSIFIC:** TYPE \_\_\_\_ - (TO BE CONFIRMED).  
**WATTAGE:** \_\_\_\_ WATTS - (TO BE CONFIRMED).  
**LIGHT SOURCE:** LED - 3000K (WARM WHITE)  
**LINE VOLTAGE:** \_\_\_\_ VOLTS - (TO BE CONFIRMED).  
**DRIVER:** MOUNTED ON QUICK RELEASE TRAY.  
 ALL COMPONENTS SHALL HAVE QUICK CONNECTORS.  
 DRIVER, LED, TESTED AT FACTORY.  
**IP66 WEATHERPROOF LUMINAIRE WITH "V" GROOVE SILICONE.**  
**OPTION:** COMPLETE WITH A 0-10 VOLT DIMMER (DIM).

**BRACKET SPECIFICATIONS:**

**CATALOG NO.:** CYCLONE - #M204-C1-T50-PTDR-BK-TX  
**MATERIAL:** CENTRAL TUBING 5"(13cm)Ø MADE OF ALUMINUM WITH ONE ARM 2 3/8"(6cm)Ø A DECORATIVE ELEMENT AND TENON FOR LUMINAIRE, WELDED TOGETHER.  
**CONFIGURATION:** SINGLE (C1).  
**OPTION:** DIMMABLE PHOTOCELL RECEPTACLE (PTDR).

**CONTROL SPECIFICATIONS:**

GE LightGrid Node

**POLE SPECIFICATIONS:**

**CATALOG NO.:** CYCLONE - #PS50-25.5-T50-BK-TX-CP6092  
**MATERIAL:** 5" ROUND, STEEL TUBING, 0.125"(3mm) THICKNESS.  
**POLE HEIGHT:** 25'-6" (7.8m).  
**ANCHOR BOLTS:** (4) 1" x 36" (33+3) FULLY GALVANIZED.  
**BOLT CIRCLE:** 11 1/2" (29cm)Ø. AVAILABLE FROM 8" TO 12" (20cm to 30cm)Ø.  
**CP6092:** POLE TENON COMPLETE WITH INTERNAL HOOK.

**BASE COVER SPECIFICATIONS:**

**CATALOG NO.:** CYCLONE - #BD57-BK-TX  
**MATERIAL:** TWO-PIECE COVER MADE OF CAST ALUMINUM.

**ALL NON ELECTRICAL HARDWARE SHALL BE STAINLESS STEEL**

**COLOR & FINISH:** BLACK RAL9005 (BK), TEXTURED POWDER COAT FINISH (TX).

**WARRANTY:** PAINT WARRANTY FOR 5 YEARS & LED FIXTURE WARRANTY FOR 5 YEARS INCLUDING LED WAIVER FOR CITY OF HILLSBORO.

**APPROVED EQUAL MATERIAL:**

**POLE:** Valmont - #DS340-R500V256-SPL tenon  
**BASE COVER:** Valmont - DBMON1942 Deco base - FP/BLK (VP53)

Autobahn Series ATBS and ATBM  
Options: 3K, P7, and NL

## Round Tapered Aluminum Pole Specifications

- Pole** - The pole shaft is extruded from seamless alloy aluminum.
- Davit Arm** - Davit arms are conically tapered from seamless alloy aluminum.
- Davit Arm Attachment** - Connection allows arm to be erected and held in place by gravity and secured by two stainless steel through bolts.
- Handhole** - A covered handhole with hardware and grounding provision are provided.
- Base Cover** - Optional decorative base covers available as special order.
- Anchor Base** - The anchor base is cast from 356 alloy aluminum. The completed assembly is heat-treated to a T6 temper. Aluminum nut covers are included with anchor base unless otherwise specified.
- Anchor Bolts** - Anchor bolts conform to ASTM F1554 Grade 55 and are provided with two hex nuts and two flat washers. Bolts have an "L" bend on one end and are galvanized a minimum of 12" on the threaded end.
- Hardware** - All structural and non-structural fasteners are stainless steel.
- Finish** - The standard finish for the pole assembly and components is satin brushed, natural anodize, duranodize or polyester powder applied coating in accordance with specifications of manufacturer.

## ATBM Specifications

- Optical** - Performance is comparable to 150W – 250W HPS. White Light: Correlated color temperature - 3000K, 70 CRI minimum. IP66 rated borosilicate glass optics ensure longevity and minimize dirt depreciation. Unique IP66 rated LED light engines provide 0% uplight and restrict backlight to within sidewalk depth, providing optimal application coverage and optimal pole spacing. Available distributions are Type II, III, IV, & V roadway distributions.
- Electrical** - Expected Life: LED light engines are rated >100,000 hours at 25°C, L70. Electronic driver has an expected life of 100,000 hours at a 25°C ambient. Lower Energy: Saves an expected 40-60% over comparable HID luminaires. Robust Surge Protection: Three different surge protection options provide a minimum of ANSI C136.2 10kV/5kA protection. 20kV/10kA surge protection is also available.
- Mechanical** - Includes standard AEL lineman-friendly features such as tool-less entry, 3 station terminal block and quick disconnects. Bubble level located inside the electrical compartment for easy leveling at installation. Rugged die-cast aluminum housing and door are polyester powder-coated for durability and corrosion resistance. Rigorous five-stage pre-treating and painting process yields a finish that achieves a scribe creepage rating of 8 (per ASTM D1654) after over 5000 hours exposure to salt fog chamber (operated per ASTM B117). Mast arm mount is adjustable for arms from 1-1/4" to 2" (1-5/8" to 2-3/8" O.D.) diameter. The 2 – bolt and optional 4 bolt clamping mechanism provide 3G vibration rating per ANSI C136. The Wildlife shield is cast into the housing (not a separate piece).
- Controls** - NEMA 3 pin photocontrol receptacle is standard, with the Acuity designed ANSI standard 5 pin and 7 pin receptacles optionally available. Premium solid state locking-style photocontrol – PCSS (10 year rated life) Extreme long life solid state locking-style photocontrol – PCL1 (20 year rated life). Extreme long life solid state locking-style photocontrol with on demand remote on/off control - PCCC (15 year rated life). Optional onboard Adjustable Output module allows the light output and input wattage to be modified to meet site specific requirements, and also can allow a single fixture to be flexibly applied in many different applications.
- Standards** - DesignLights Consortium® (DLC) qualified product. Not all versions of this product may be DLC qualified. Please check the DLC Qualified Products List at [www.designlights.org/QPL](http://www.designlights.org/QPL) to confirm which versions are qualified. Color temperatures of ≤ 3000K must be specified for International Dark-Sky Association certification. Rated for -40°C to 40°C ambient. CSA Certified to U.S. and Canadian standards. Complies with ANSI: C136.2, C136.10, C136.14, C136.31, C136.15, C136.37.

## ATBS Specifications

- Optical** - Performance is comparable to 50W – 150W HPS and up to 175W Mercury Vapor roadway and security lighting luminaires. Correlated color temperature - 3000K, 70 CRI minimum. IP66 rated borosilicate glass optics ensure longevity and minimize dirt depreciation. Unique IP66 rated LED light engines provide 0% uplight and restrict backlight to within sidewalk depth, providing optimal application coverage and optimal pole spacing. Available distributions are Type II, III, IV, & V roadway distributions. When used with the optional acrylic refractor the unit provides approximately 10% uplight and increased vertical foot-candles.
- Electrical** - Expected Life: LED light engines are rated >100,000 hours at 25°C, L70. Electronic driver has an expected life of 100,000 hours at a 25°C ambient. Lower Energy: Saves an expected 40-60% over comparable HID luminaires. Robust Surge Protection: Three different surge protection options provide a minimum of ANSI C136.2 10kV/5kA protection. 20kV/10kA surge protection is also available.
- Mechanical** - Includes standard AEL lineman-friendly features such as tool-less entry, 3 station terminal block and quick disconnects. Bubble level located inside the electrical compartment for easy leveling at installation. Rugged die-cast aluminum housing and door are polyester powder-coated for durability and corrosion resistance. Rigorous five-stage pre-treating and painting process yields a finish that achieves a scribe creepage rating of 8 (per ASTM D1654) after over 5000 hours exposure to salt fog chamber (operated per ASTM B117). Mast arm mount is adjustable for arms from 1-1/4" to 2" (1-5/8" to 2-3/8" O.D.) diameter. The 2 – bolt clamping mechanism provide 3G vibration rating per ANSI C136. The Wildlife shield is cast into the housing (not a separate piece).
- Controls** - NEMA 3 pin photocontrol receptacle is standard, with the Acuity designed ANSI standard 5 pin and 7 pin receptacles optionally available. Premium solid state locking-style photocontrol – PCSS (10 year rated life) Extreme long life solid state locking-style photocontrol – PCL1 (20 year rated life). Optional onboard Adjustable Output module allows the light output and input wattage to be modified to meet site specific requirements, and also can allow a single fixture to be flexibly applied in many different applications.
- Standards** - DesignLights Consortium® (DLC) qualified product. Not all versions of this product may be DLC qualified. Please check the DLC Qualified Products List at [www.designlights.org/QPL](http://www.designlights.org/QPL) to confirm which versions are qualified. Color temperatures of ≤ 3000K must be specified for International Dark-Sky Association certification. Rated for -40°C to 40°C ambient. CSA Certified to U.S. and Canadian standards. Complies with ANSI: C136.2, C136.10, C136.14, C136.31, C136.15, C136.37.

\* (Mounting Height)

\*Round Tapered Aluminum Davit Arm Pole  
Height: 25', 30', 35', 40'  
Arm: 4', 6', 8'  
Configurations: 25'-4', 30'-6', 35'-8', 40'-8'  
(or as approved)



AEL Headquarters, 3825 Columbus Road,  
Granville, OH 43023  
[www.americanelectriclighting.com](http://www.americanelectriclighting.com)  
© 2016–2017 Acuity Brands Lighting, Inc.  
All Rights Reserved.

## City of Hillsboro ATBS/ATBM

ORDER #:	TYPE:	DRAWING #:
REVISION:	REVISION DATE: 09/04/2019	ATBS/ATBM
DRAWN:	ORIGIN DATE:	PAGE: 1 of 1